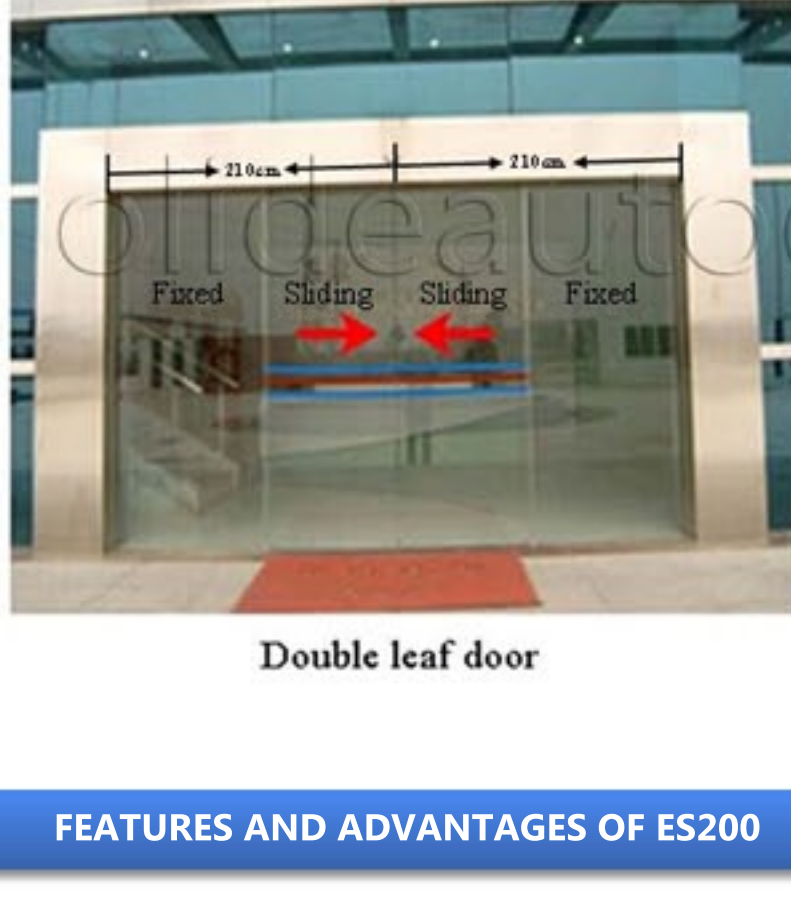


HOW TO CHOOSE THE CORRECT SIZE FOR YOUR DOOR?

Our standard size for the cover and transmission rail is 2*210cm, it is just like the picture one double leaf door shows. If door size is beyond it, or if it is single leaf door, please contact us to choose the correct size for you.



Double leaf door



Single leaf door

FEATURES AND ADVANTAGES OF ES200

Dunker motor copy, same quality with lower price

The model copy Dorma ES 200, motor copy the Germany imported dunker motor, appearance and function are similar with dunker motor. Brushless no-maintenance DC gear motor.



Intelligent 32 bit microprocessor, Pass more safely

32 bit microprocessor in electric board make the door sliding reversely when touch obstacles;

Opening&closing parameters can be intelligently adjusted by control panel without extra programmer;

Various connectors can connect with different optional access control accessory.

One more reducer wheel, more stable and low noise

One more reduce wheel make the teeth belt more stable and low operation noise, The roller is made of polyurethane, it is durable and light.

The large space between the wheels make little friction between the belt and wheel.



ES200 Roller wheel



Normal Roller wheel

Complete perfect access control system

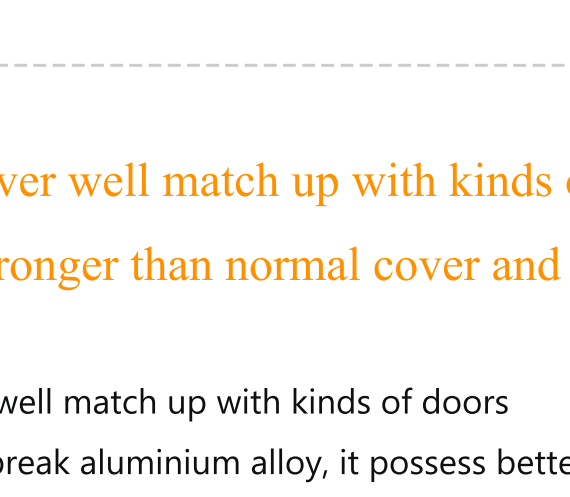
Only entering the passcode or swiping card on the optional access keypad, people can be entered.

Autodoor can reach the functions of automatic/exit only/partial open/locked and open by the optional five key selector. (It is included in one complete set automatic sliding door opener)

Various optional accessories such as foot sensor, touch sensor, push button etc. can be equipped.

Functions of Safty beam and microwave sensor are perfectly combined.

The optional active radar&infrared safety sensor is combined the function of safety beam and microwave sensor. If install it, no need safety beam and microwave sensor. More intelligent and convenient, only need one wire connection, no need more for safety beam and microwave sensor.



Active radar&infrared safety sensor

Arc-shaped cover well match up with kinds of door Heavier and stronger than normal cover and beam

Arc-shaped cover well match up with kinds of doors. Made of thermal-break aluminium alloy, it possess better thermal insulation performance and leakproofness than normal aluminium alloy.

Weight of 4.2 meters cover is about 14kg for ES 200 normal cover is only 10kg.

TECHNICAL SPECIFICATION

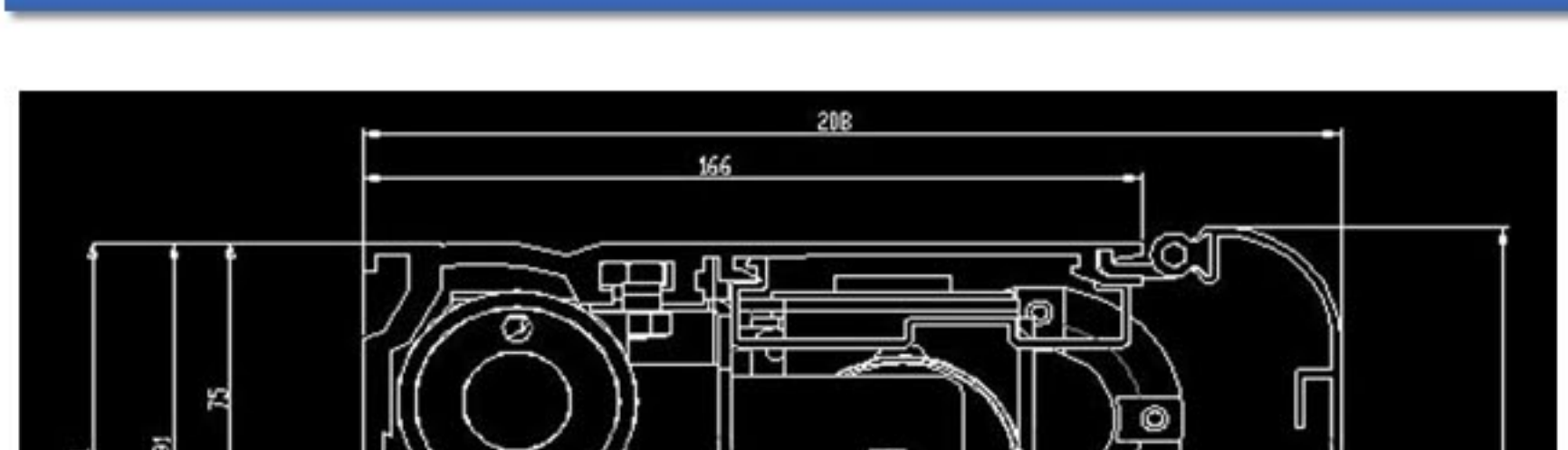
Model	ES200	
Door range	Single leaf	Double leaf
Door leaf weight	Max 200kg×1	Max 160kg×2
Door width	800~3000mm	700~3000mm
Opening speed	100~750mm/s (Adjustable)	
Closing speed	100~750mm/s (Adjustable)	
Opening time	0~9seconds	
Motor	DC24V Brushless DC Servo Motor	
Supply voltage	Input AC110V/220V; 50-60Hz	
Working temperature	-20~50°C	
Working noise	Less than 50 db	

ES200 COMPONENTS INCLUDING



Components	Quantity	Components	Quantity
Control panel	1	Receiver	1
Motor gear box assembly	1	Return Pulley	1
Microwave sensor	2	Terminal input assembly	1
Tooth Belt	1*7m	Power switch	1
End stop	3	Hanger roller bracket	2
Remote control	2	Belt bracket link assembly	2
Device for yaw checking	1	Transformer	1
Transmission rail and cover	2*2.1m	Microwave sensor	2

OPTIONAL ACCESSORIES



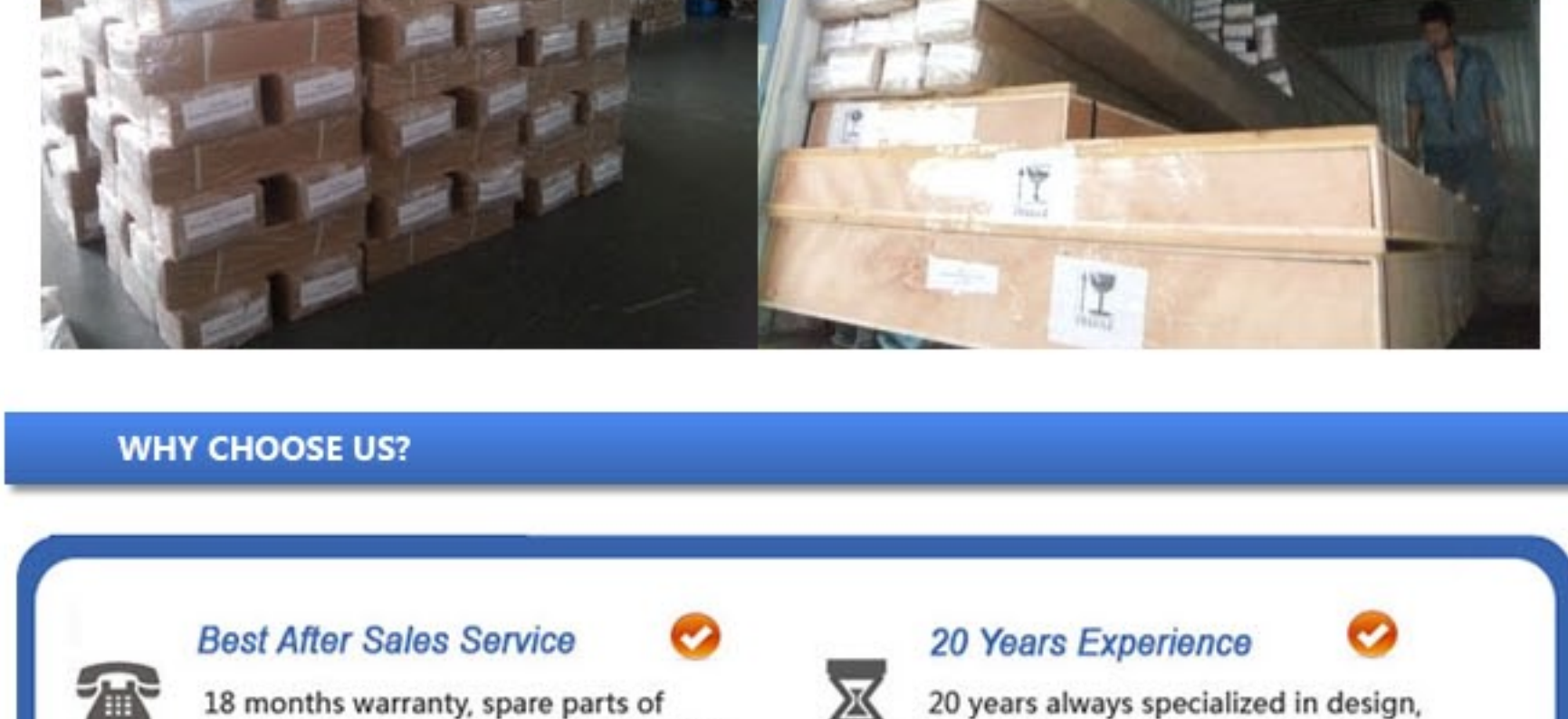
PROFILE DRAWING



PROJECT FROM CUSTOMER



PACKAGING&SHIPPING



WHY CHOOSE US?

- Best After Sales Service** (✓) 18 months warranty, spare parts of the product can be free replaced during warranty period if any problems belong to us.
- 20 Years Experience** (✓) 20 years always specialized in design, production, sales and installation of automatic door systems.
- Strong Technical Team** (✓) Adopting Up-to-date Techniques and Technology. Highly Trained Door Experts are the backbone of the company.
- High Delivery Speed** (✓) 3-5 working days shipping out for small order.
- Excellent Quality** (✓) CE, ISO certification. Excellent DC brushless motor, high wear-resistant qualities wheels and reasonable structure design makes it more stable, quiet, longer life.

CONTACT US

Skype: Chinentech
Tel: +86 571 87641908
Email: jason@olideautodoor.com
MSN: Chinentech@hotmail.com

